

Vault Conduit Terminators



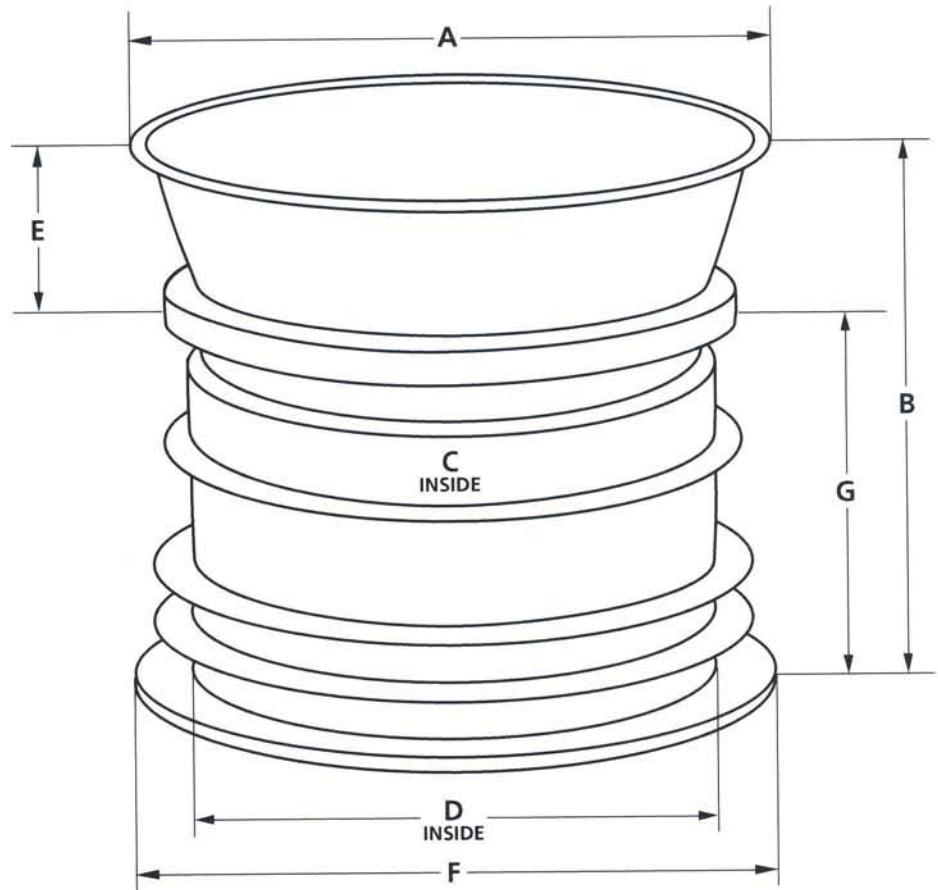
SIZE	GLUE SURFACE
2 inch	2-3/4"
3 inch	2-5/8"
4 inch <small>STEP DOWN</small>	1-5/16" <small>EACH STEP</small>
4.35 inch	2-5/8"
4.5 inch	2-5/8"
5 inch	2-3/4"
6 inch	2-3/4"

M.A. Industries

Vault Conduit Terminators (VCT) are manufactured in Peachtree City, GA. under strict quality control procedures and are injection molded out of quality material giving you the most consistent product on the market.

M.A. VCT's are available in 2 inch, 3 inch, 4.35 inch, 4.50 inch, 4 inch step down, 5 inch and 6 inch diameters.

Sealing rings are available for all models. The sealing ring makes a smooth edge on inside surface of the opening to protect cables during pulls and to prevent material from entering the terminator opening.



Item #	SIZE	A	B	C	D	E	F	G
004-756-2R	2 inch	3-1/4"	4-1/2"	2-1/4"	2-3/8"	1-1/4"	3"	3-1/2"
004-756-3R	3 inch	4-9/16"	4-3/8"	3-1/2"	3-1/2"	1-1/4"	4-1/4"	3-3/8"
004-751-WR	4 inch	5-1/4"	4-3/8"	4-1/4"	4-1/2"	1-1/4"	4-15/16"	3-3/8"
004-756-4.35R	4.35 inch	5-1/4"	4-3/8"	4-1/4"	4-3/8"	1-1/4"	4-13/16"	3-3/8"
004-756-4.5R	4.5 inch	5-1/4"	4-3/8"	4-3/8"	4-1/2"	1-1/4"	4-15/16"	3-3/8"
004-756-5R	5 inch	6-5/8"	4-3/8"	5-1/2"	5-5/8"	1-1/4"	6-1/4"	3-3/8"
004-756-6R	6 inch	7-5/8"	4-3/8"	6-1/2"	6-5/8"	1-1/4"	7-1/4"	3-3/8"