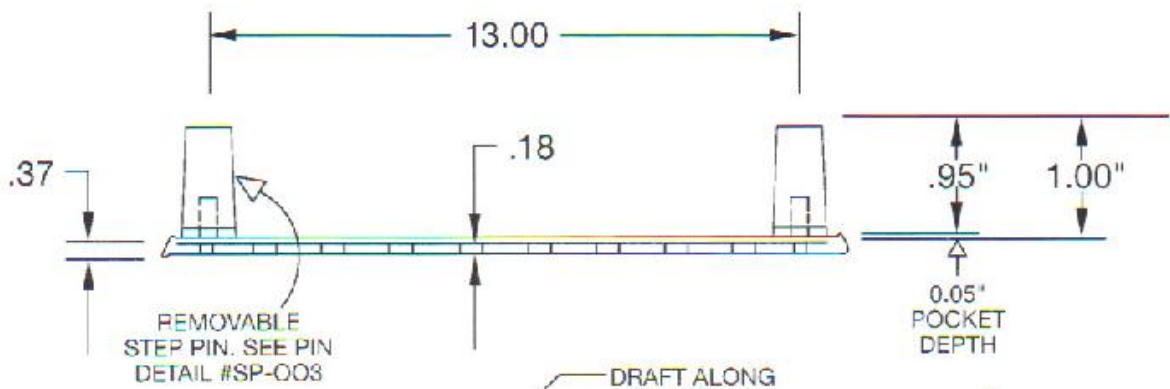
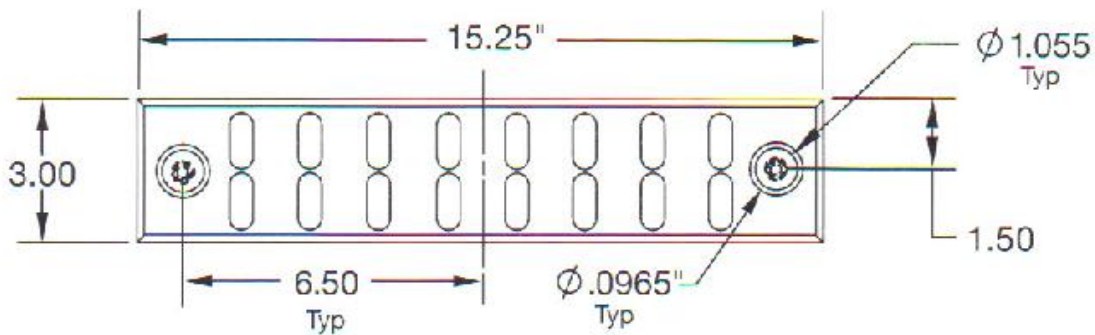
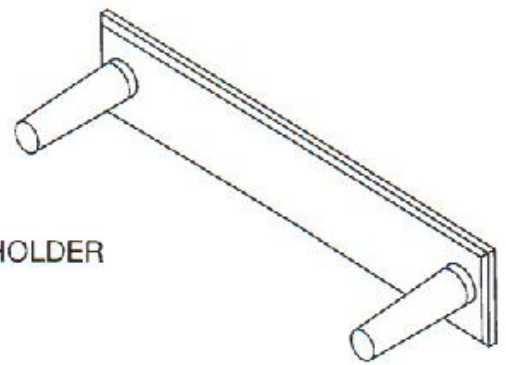


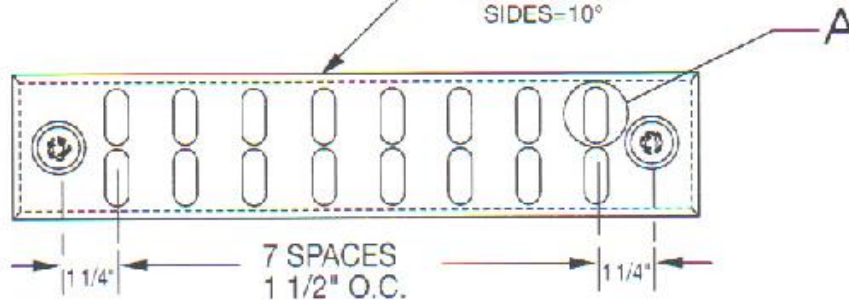
DETAIL A
SCALE 1 : 1

**FLATWALL
HORIZONTAL SPACING**
PS2-PF - 13"CC
004-IF131 STEP INSERT HOLDER



REMOVABLE
STEP PIN. SEE PIN
DETAIL #SP-003

DRAFT ALONG
SIDES=10°



- USED WITH MA STEPS "PS2 - PF"
- FLATWALL USE
- USED TO HOLD MA PLASTIC INSERTS

M. A. INDUSTRIES, INC.

