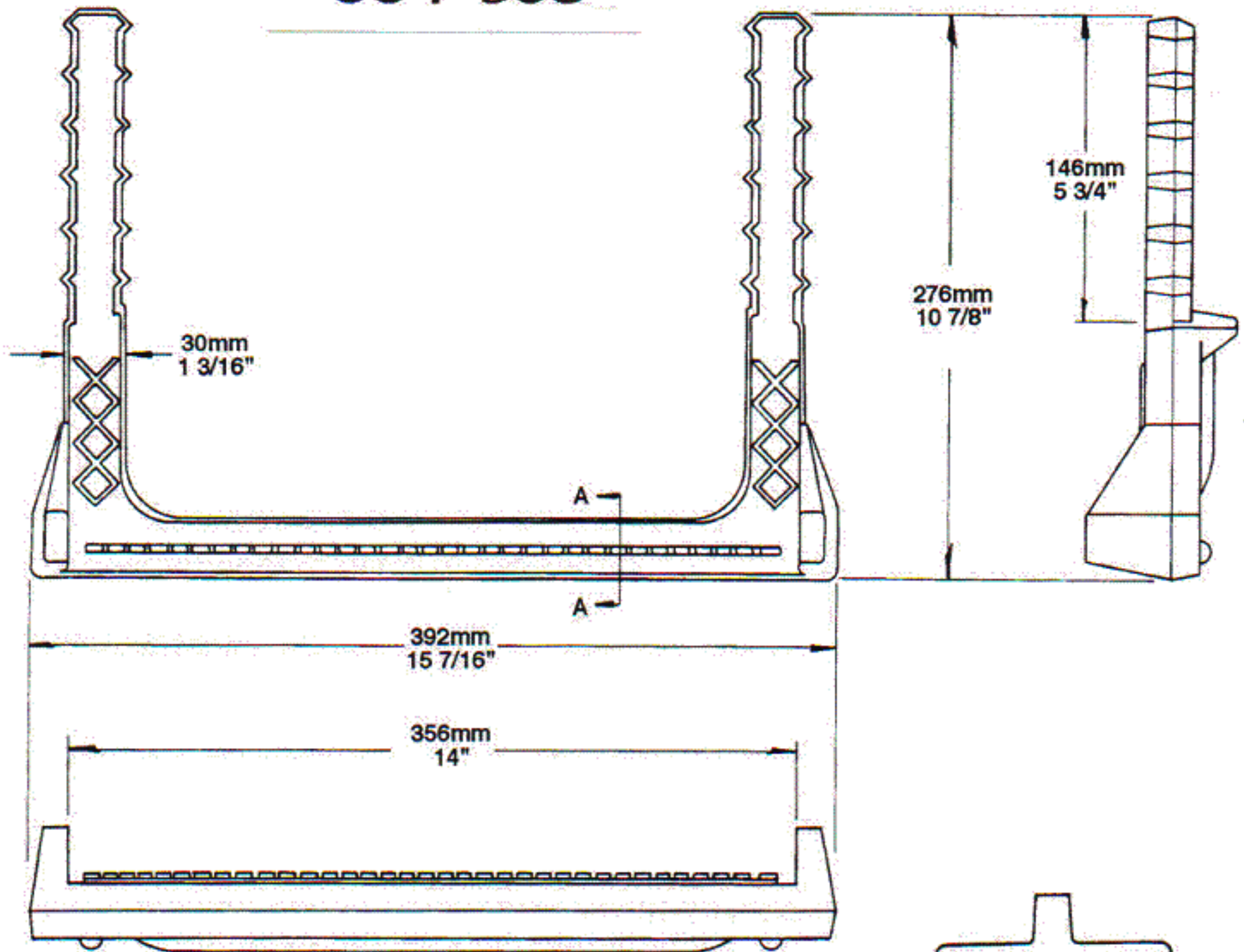
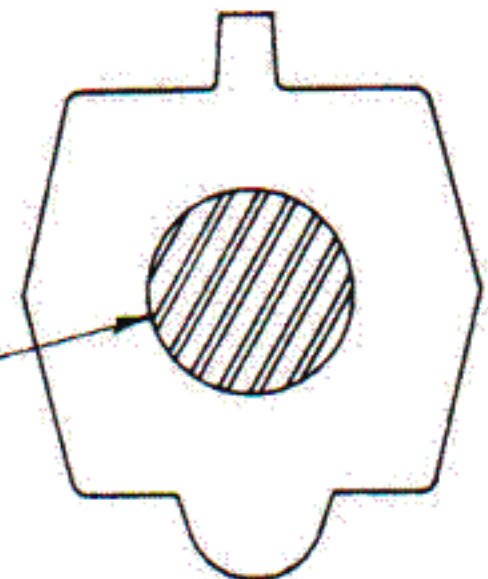


004-508

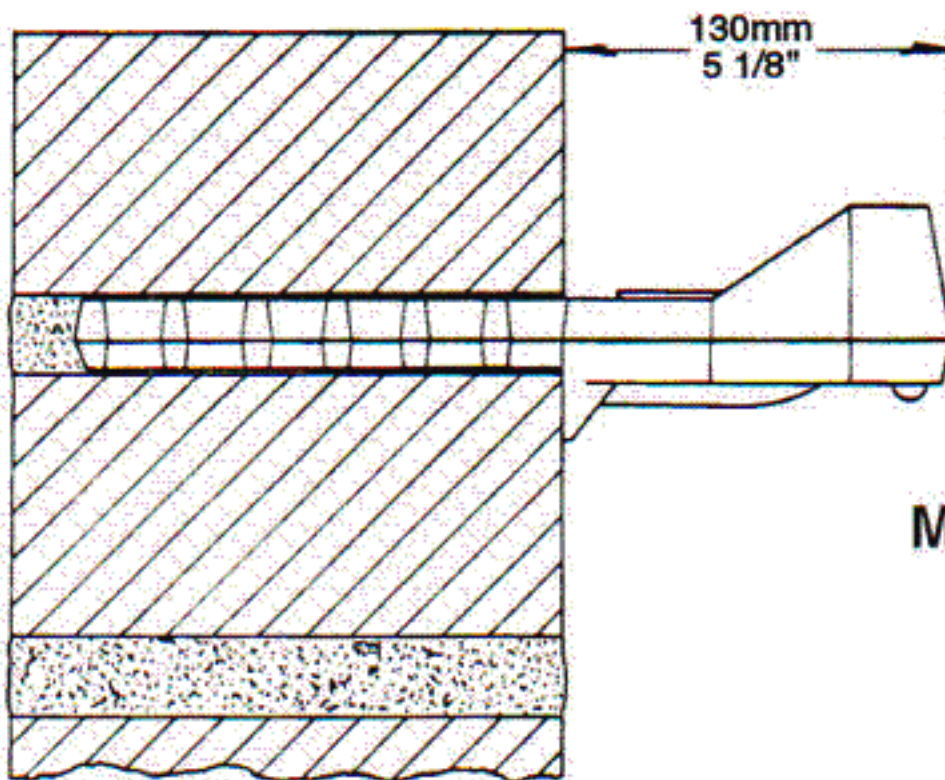


Copolymer Polypropylene Plastic

13mm 1/2" GRADE 60 STEEL REINFORCEMENT



SECTION-A



MEETS: ASTM-C-478
 ASTM-D-4101
 ASTM-A-615
 AASHTO-M-199



M. A. INDUSTRIES, INC.