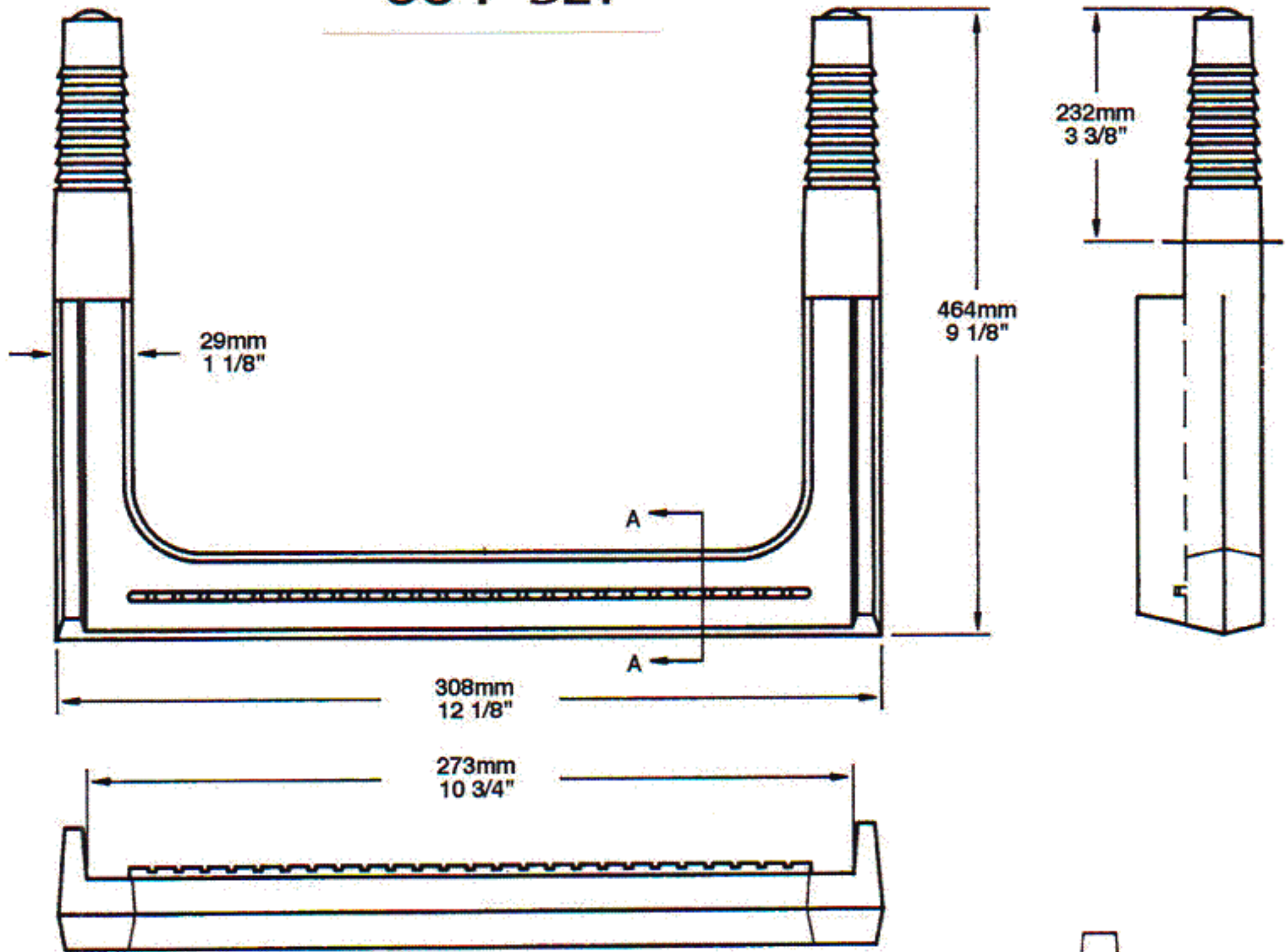
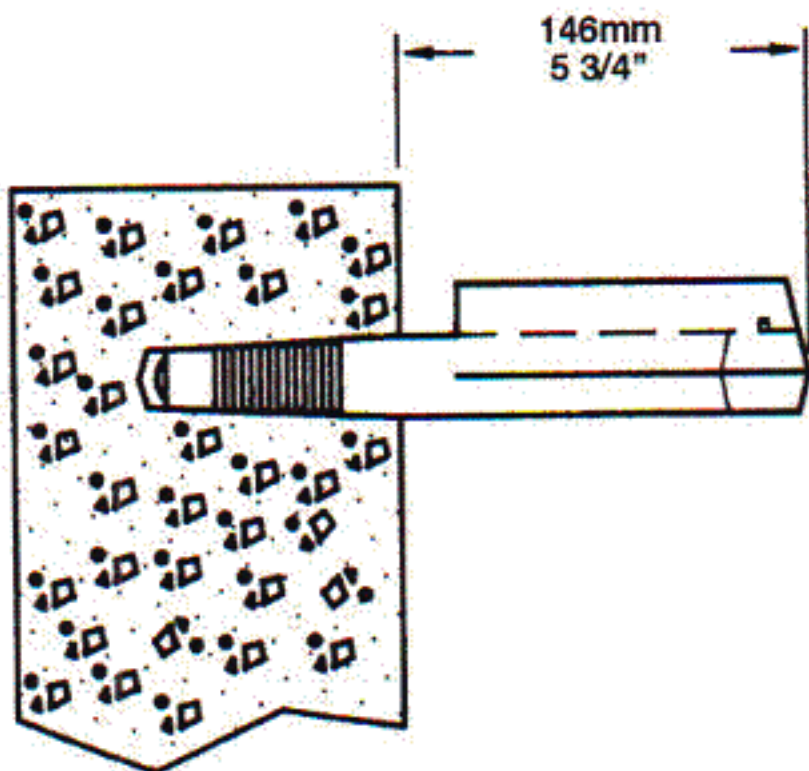
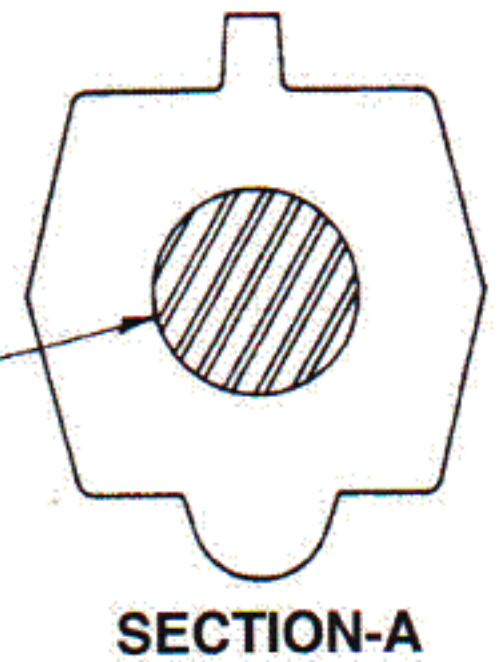


004-521



Copolymer Polypropylene Plastic

13mm 1/2" GRADE 60 STEEL REINFORCEMENT



MEETS: ASTM-C-478
ASTM-D-4101
ASTM-A-615
AASHTO-M-199



M. A. INDUSTRIES, INC.