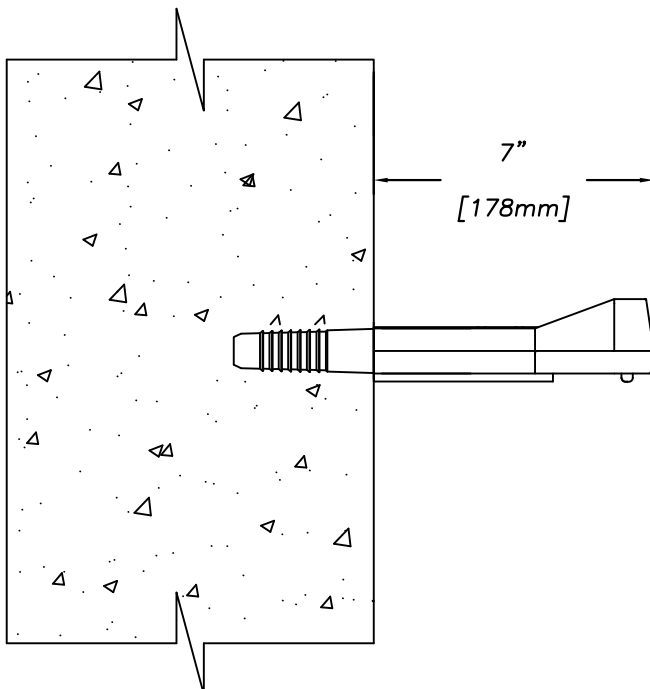


**Copolymer Polypropylene Plastic**

16mm  
5/8" **GRADE 60 STEEL REINFORCEMENT**

**SECTION-A**

**MEETS: OPSS 1351.08.02  
BNQ  
ASTM C-478  
ASTM D-4101  
ASTM A-615  
AASHTO M-199**



**M . A . I N D U S T R I E S , I N C .**

