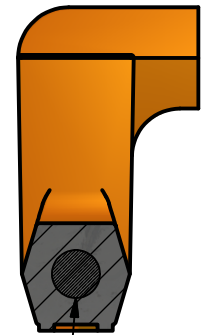
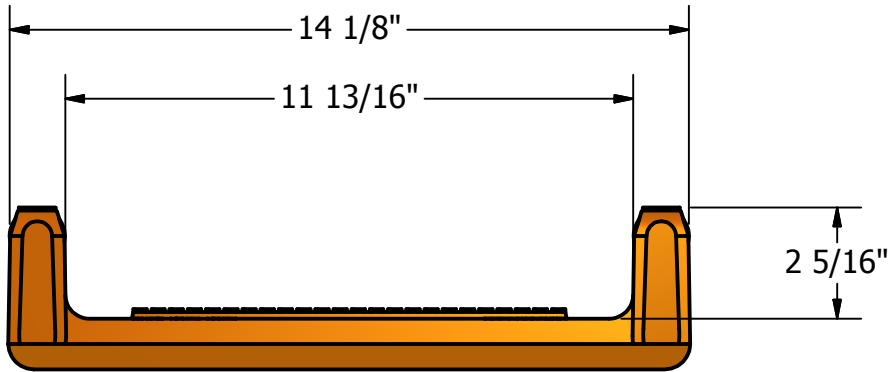
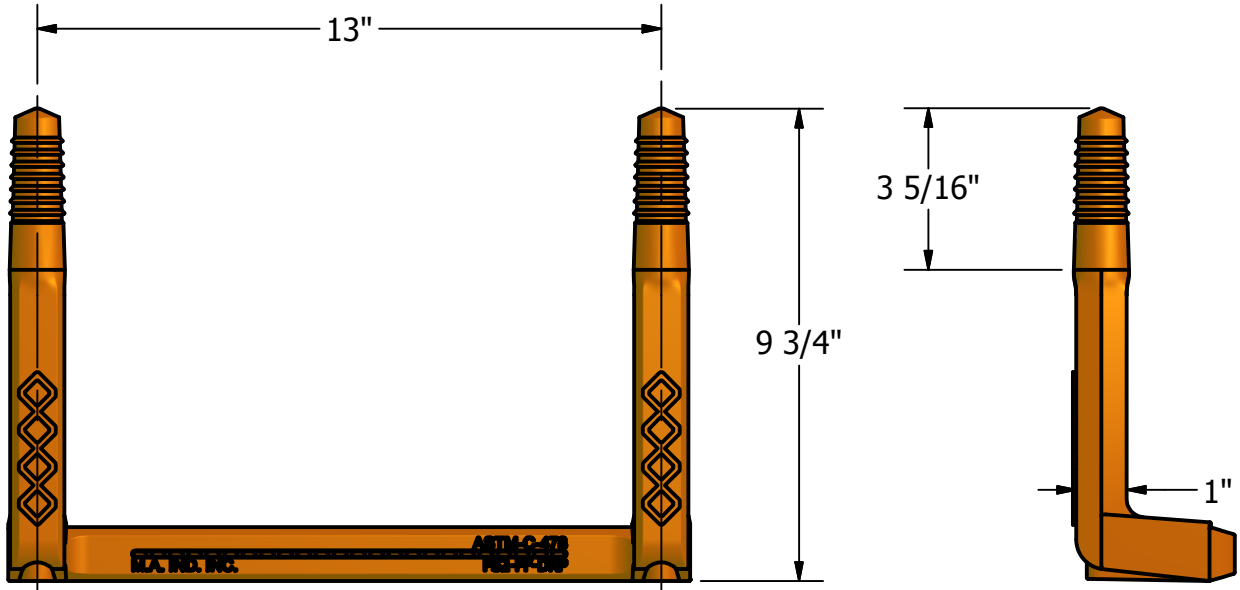


PS2-PF-DRP

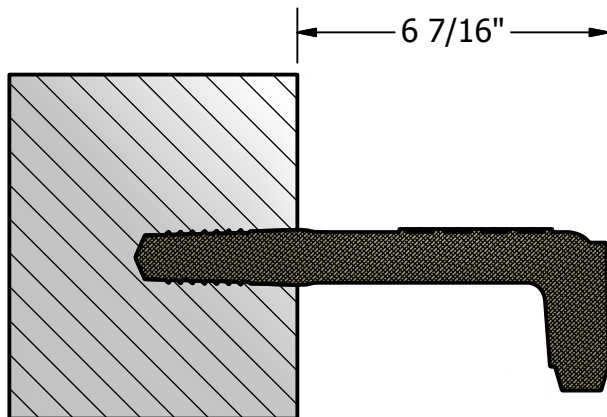
Part# 004-510-DRP-O

Drop Type Manhole Step



Copolymer Polypropylene Plastic

1/2" (13mm) GRADE 60 STEEL REINFORCEMENT



MEETS:
 ASTM C-478
 ASTM D-4101
 ASTM A-615
 AASHTO M-199



M . A . I N D U S T R I E S , I N C .