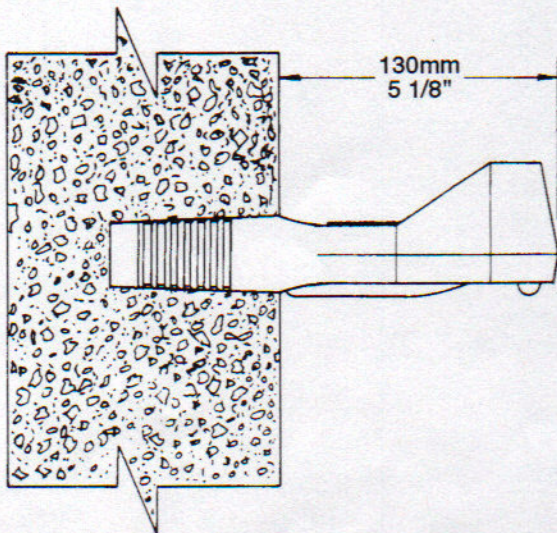
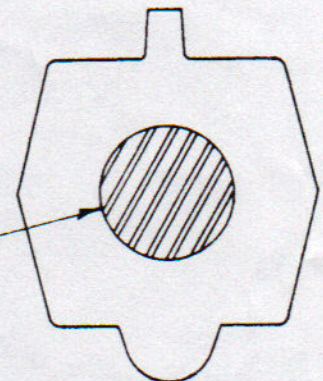


**Copolymer Polypropylene Plastic**

13mm 1/2" GRADE 60 STEEL REINFORCEMENT



MEETS: ASTM-C-478  
 ASTM-D-4101  
 ASTM-A-615  
 AASHTO-M-199



**M . A . I N D U S T R I E S , I N C .**