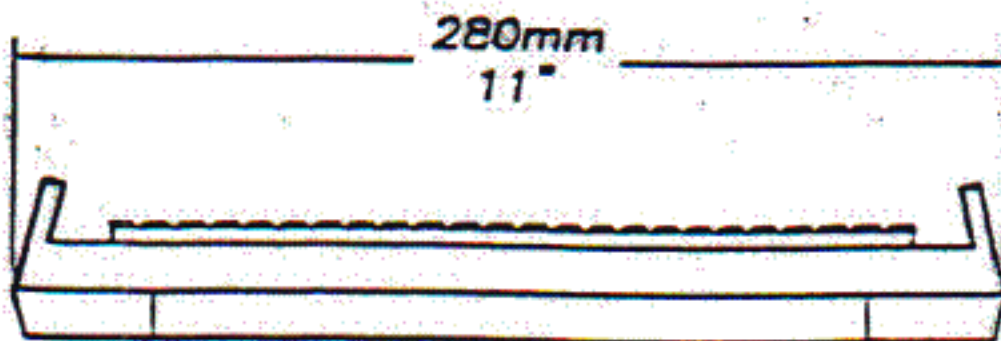
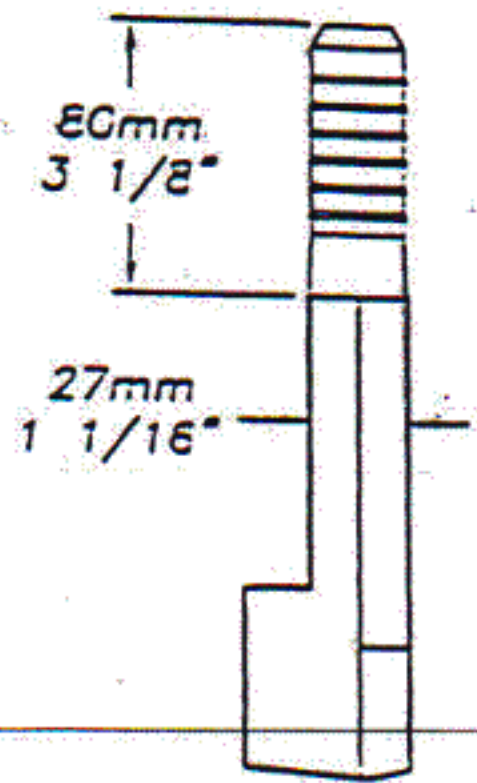
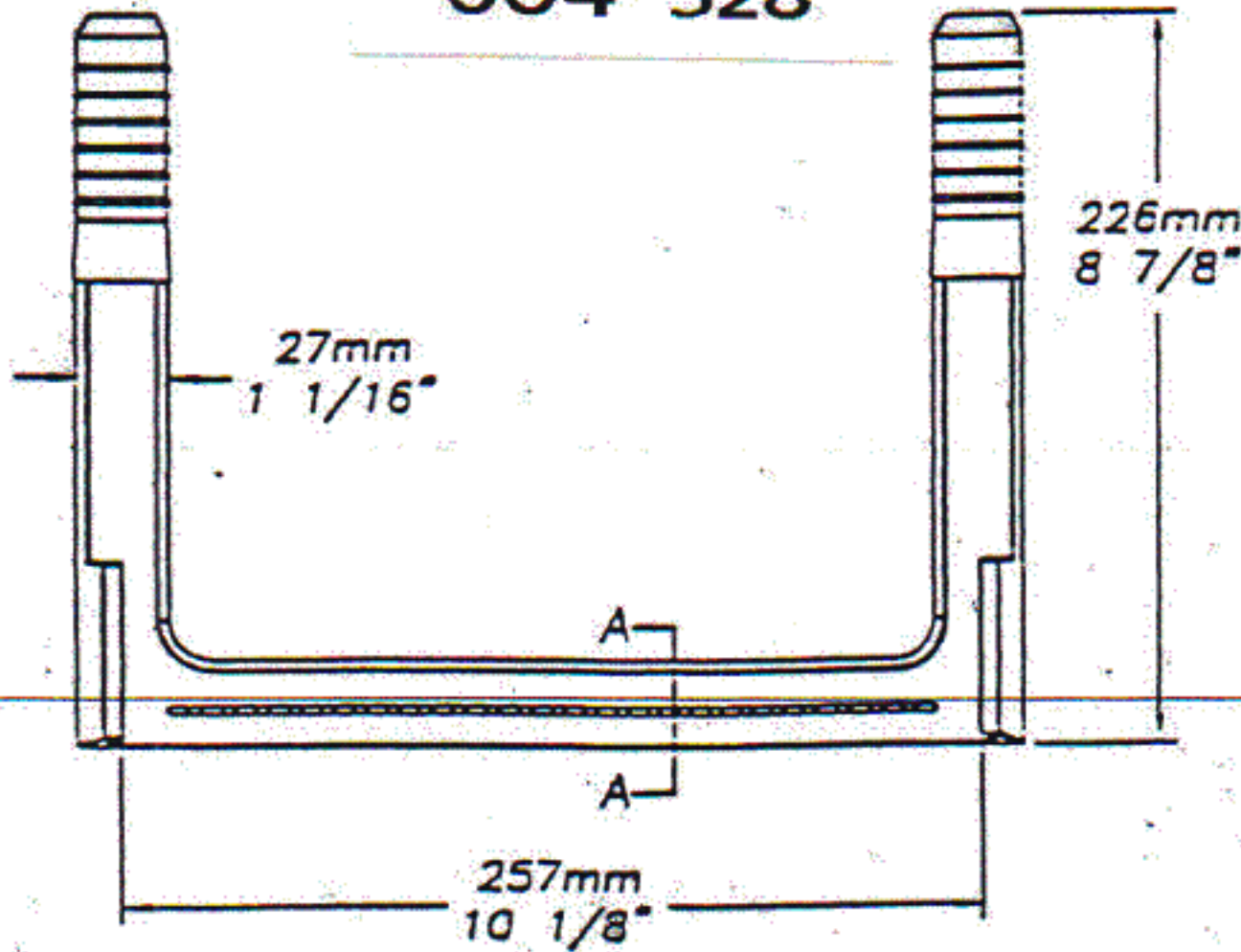
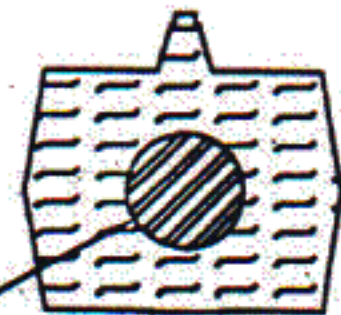


004-528

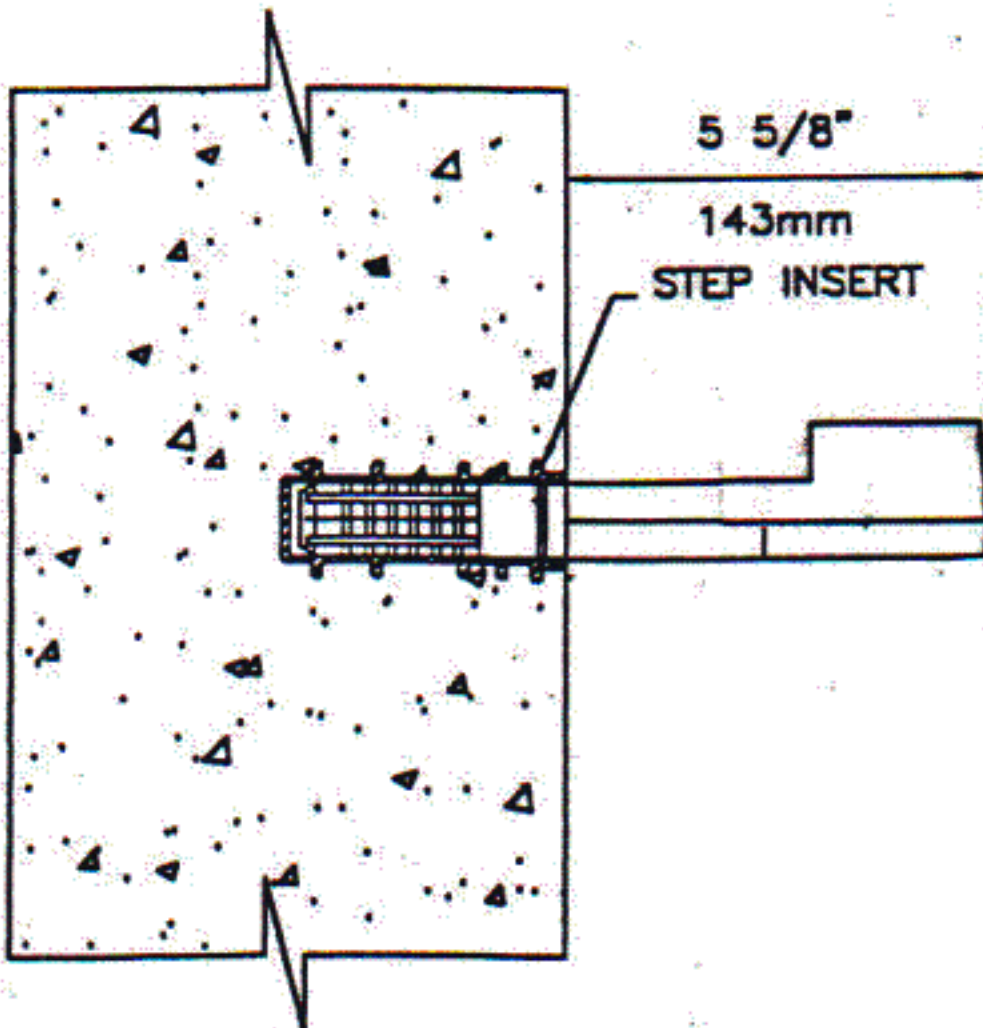


Copolymer Polypropylene Plastic

13mm
1/2" **GRADE 60 STEEL REINFORCEMENT**



SECTION-A



**MEETS: ASTM C-478
 ASTM D-4101
 ASTM A-615
 AASHTO M-199**



M. A. INDUSTRIES, INC.