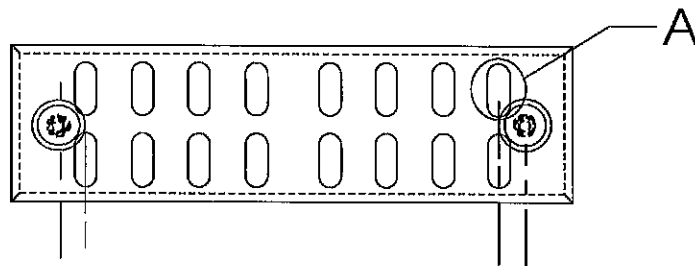
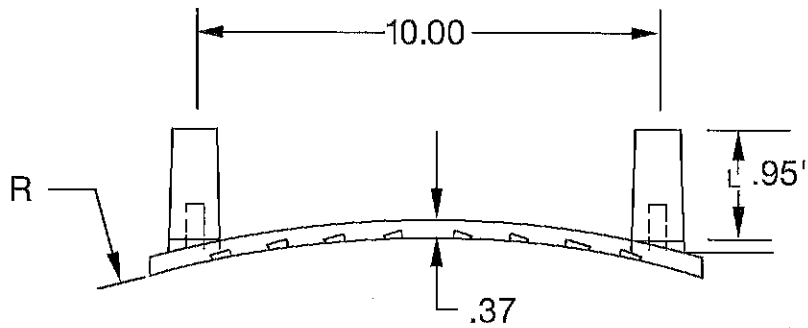
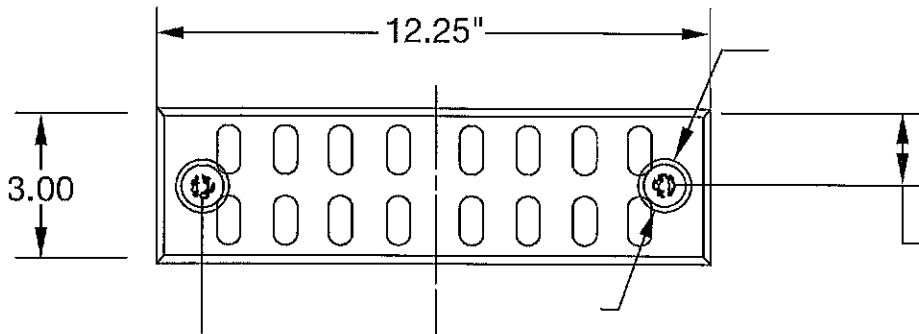


**RADIUS MAGNETIC STEP
PLATE PLASTIC INSERT HOLDER**

CURVED PS1-PF - 10CC

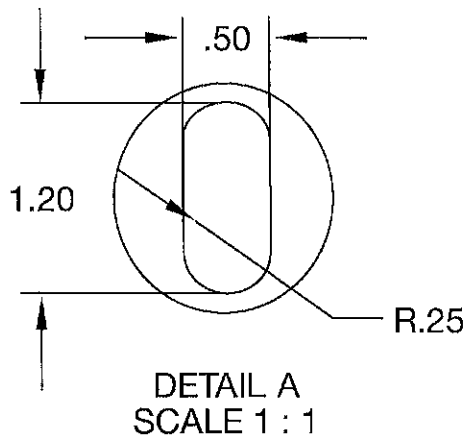
- 004-IR24101 48" DIA.
- 004-IR30101 60" DIA.
- 004-IR36101 72" DIA.
- 004-IR42101 84" DIA.
- 004-IR48101 96" DIA.
- 004-IR60101 120" DIA.



- USED WITH MA STEPS "PS1 - PF"
- USED TO HOLD MA PLASTIC INSERTS

M. A. INDUSTRIES, INC.





**RADIUS MAGNETIC STEP
PLATE PLASTIC INSERT HOLDER**

CURVED PS2-PF - 13CC

004-IR24131 48" DIA.

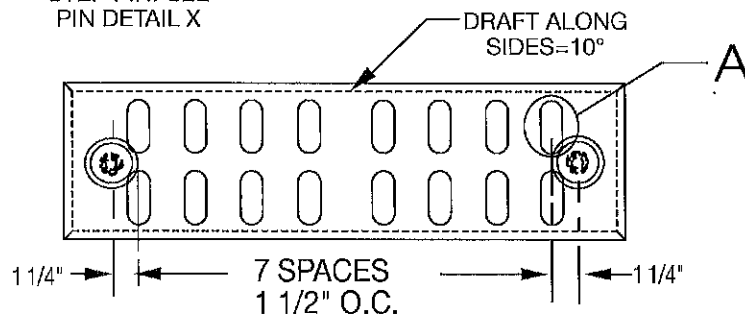
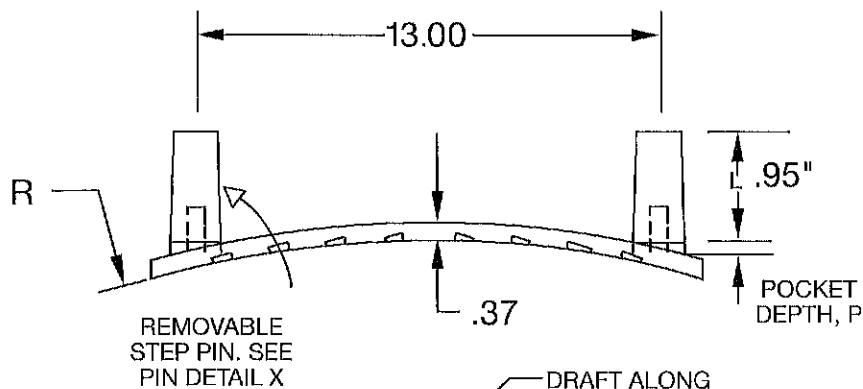
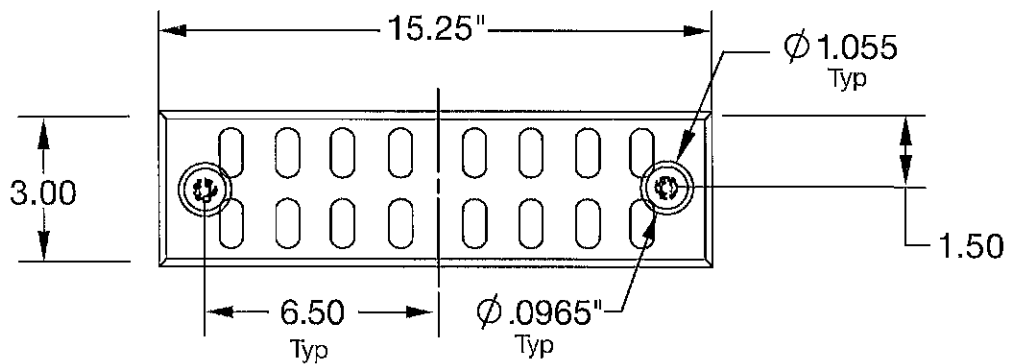
004-IR30131 60" DIA.

004-IR36131 72" DIA.

004-IR42131 84" DIA.

004-IR48131 96" DIA.

004-IR60131 120" DIA.



- USED WITH MA STEPS "PS2 - PF"
- USED TO HOLD MA PLASTIC INSERTS

M. A. INDUSTRIES, INC.

