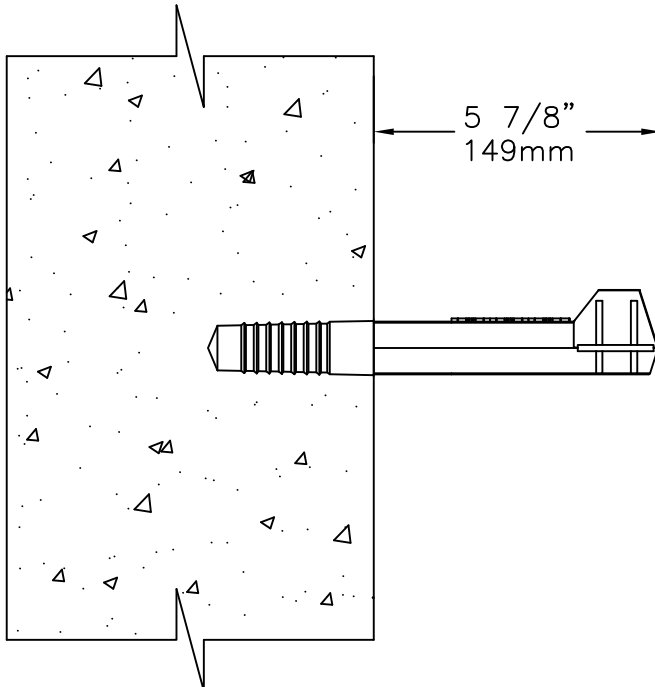
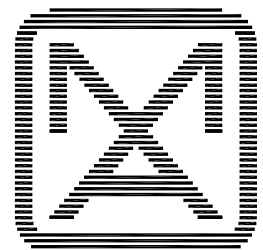


Copolymer Polypropylene Plastic

13mm 1/2" **GRADE 60 STEEL REINFORCEMENT**



**MEETS: ASTM C-478
ASTM D-4101
ASTM A-615
AASHTO M-199**



M . A . I N D U S T R I E S , I N C .