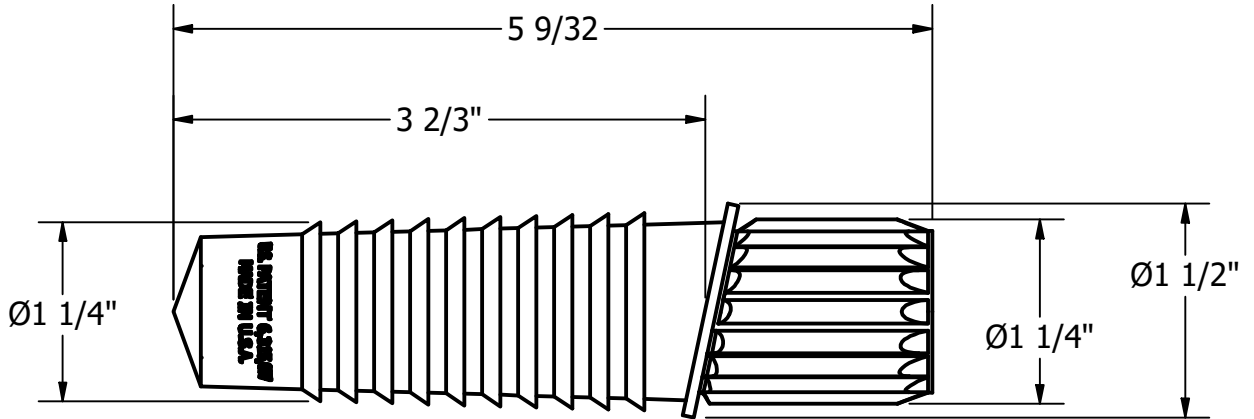
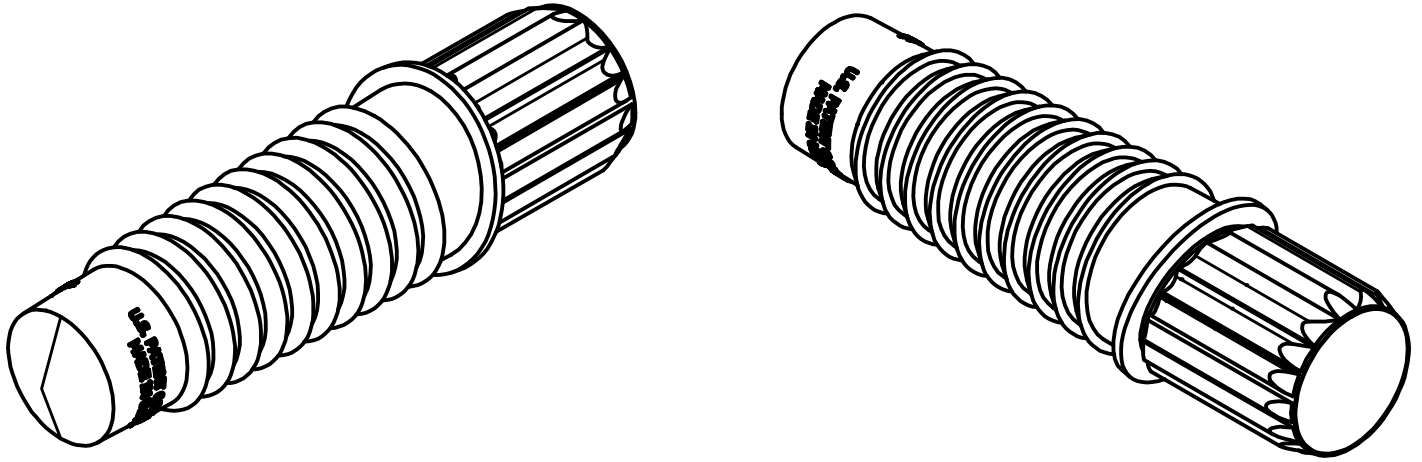


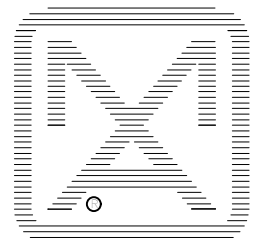
Item #004-501-IN

Tapered Round Wall Breakaway Step Insert



M.A. Tapered Inserts To Be Used Only With M.A. Tapered Manhole Steps.

M . A . I N D U S T R I E S , I N C .



P.O. Box 2929, 303 Dividend Dr. Peachtree City, GA 30269 Phone (770) 487-7761 Molding Sales Fax (770) 487-1482 Corporate Fax (770) 631-4679
Website: www.maind.com

Approved: Scott Peacock Revision: R0 Date: 8/16/2019