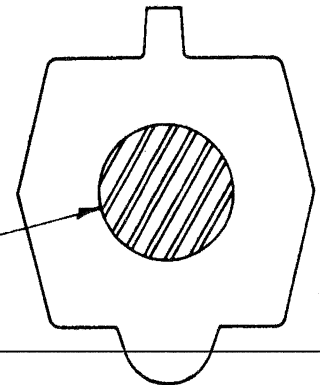
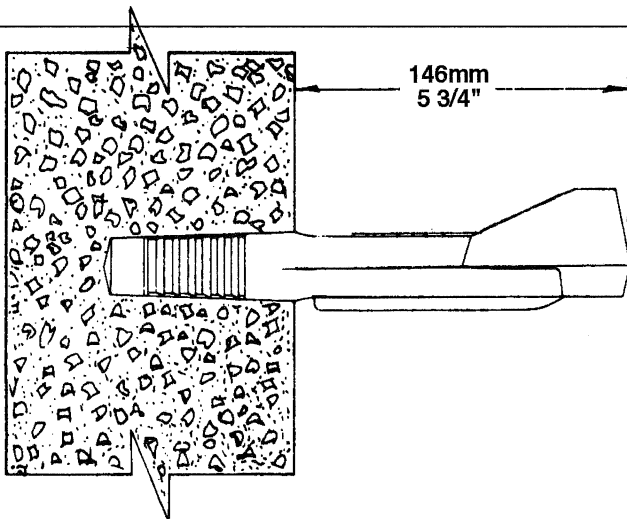


Copolymer Polypropylene Plastic

13mm 1/2" **GRADE 60 STEEL REINFORCEMENT**



SECTION-A



**MEETS: ASTM-C-478
ASTM-D-4101
ASTM-A-615
AASHTO-M-199**

M. A. INDUSTRIES, INC.

