

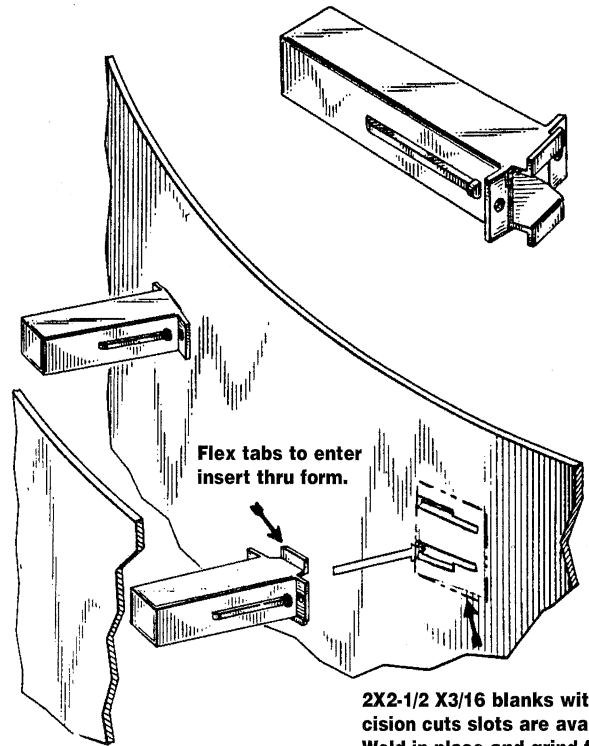


## FLEX-LOK PLASTIC MANHOLE STEP INSERT

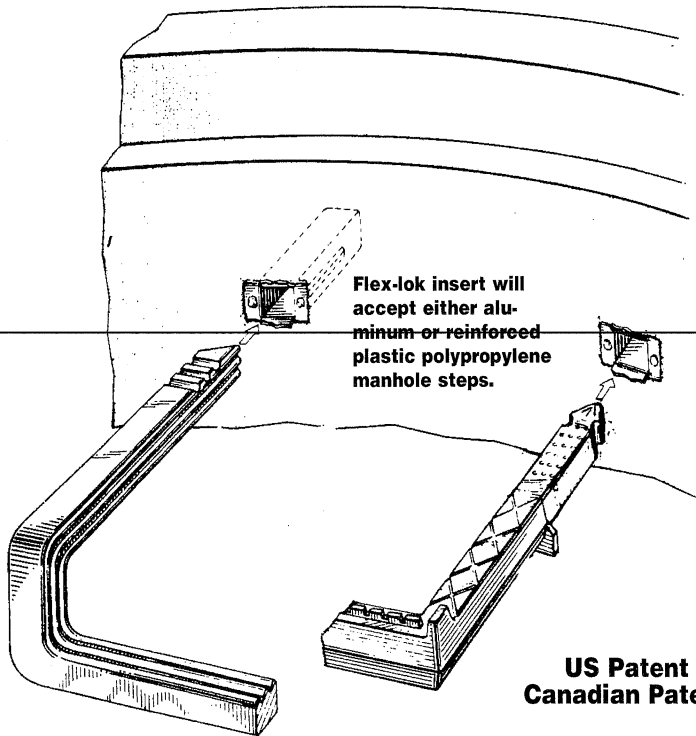
A polypropylene insert for the purpose of securing steps in the wall of a precast concrete manhole or other concrete structure.

Placement of the insert is done at the time of manufacture, thereby assuring the wall to remain watertight, and at the same time guaranteeing positive alignment and projection of the steps.

Installation of either the aluminum or plastic polypropylene step into the insert is rapid and simple, as the step is pressed or driven into an interference fit in the insert cavity.



2X2-1/2 X3/16 blanks with precision cuts slots are available. Weld in place and grind form surface smooth.



Since the insert is made of polypropylene, it has a life expectancy which exceeds the concrete itself, and has excellent chemical resistance.

The insert also serves as a protective shield against dissimilar material reactions, such as electrolysis of aluminum and concrete.

The insert meets requirements of A.S.T.M. C-478 Section 12 and performance test procedures of A.S.T.M. C-497.

US Patent 3,974,615  
Canadian Patent 1,040,844



P.O. Box 1647  
Tullytown, PA 19007  
1-800-822-ALOK

697 Main Street  
Tullytown, PA 19007  
(215) 547-3366

**A-LOK FLEX-LOK MANHOLE STEP INSERT INSTALLATION CONCEPT**

C-106-1