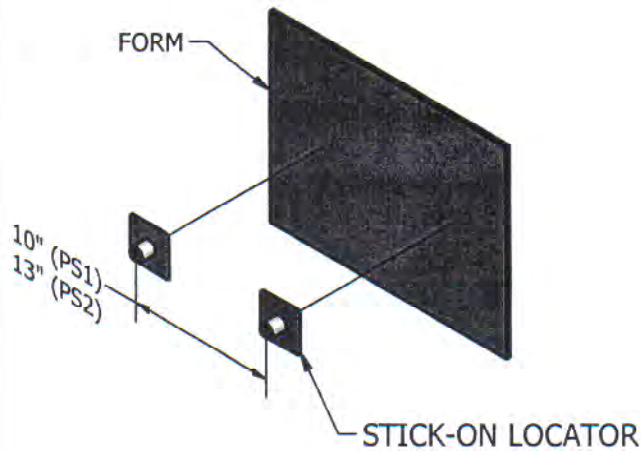


PFS-1 INSERT / STICK-ON LOCATOR INSTRUCTIONS

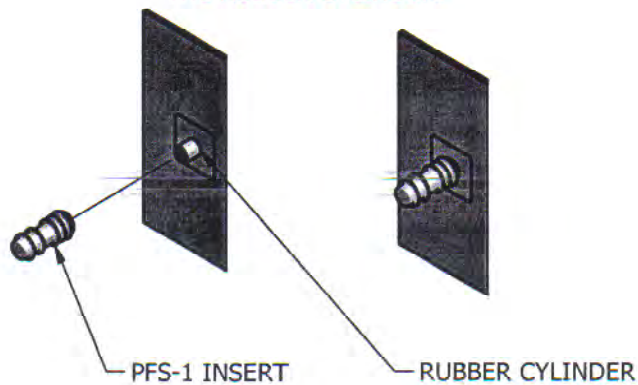
STEP 1

ATTACH STICK-ON LOCATOR TO FORM WITH SILICON ADHESIVE.
USE 10" CENTER TO CENTER FOR PS1 STEPS
AND 13" CENTER TO CENTER FOR PS2 STEPS.



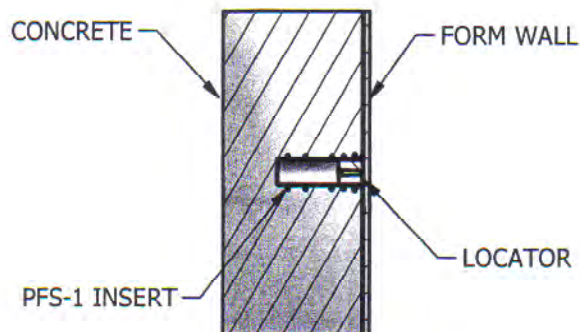
STEP 2

PRESS PFS-1 INSERT ON TO RUBBER CYLINDER.
MAKE SURE THE INSERT COMPLETELY COVERS
THE RUBBER CYLINDER.



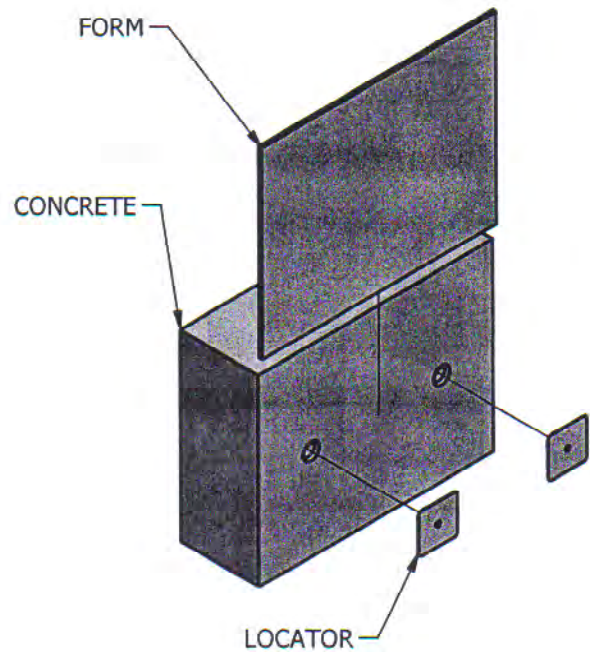
STEP 3

POUR CONCRETE INTO FORM.



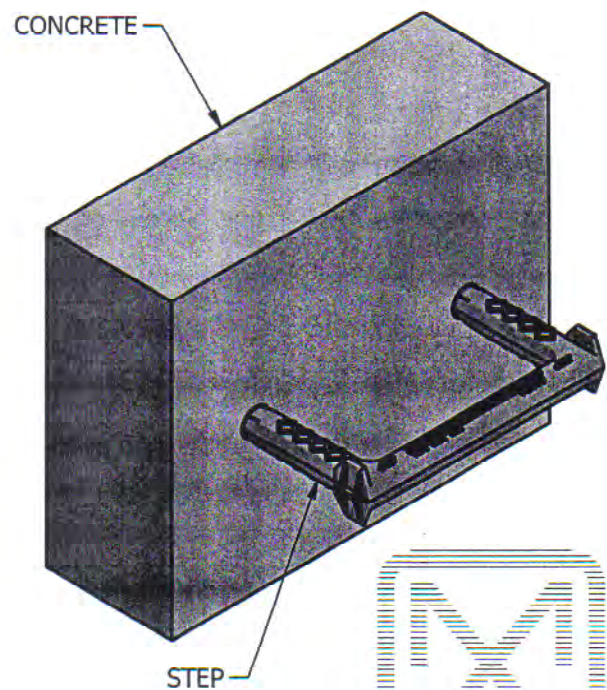
STEP 4

AFTER CONCRETE HAS CURED TO 3000 PSI,
STRIP FORM AND REMOVE STICK-ON LOCATORS
FROM THE INSERTS.



STEP 5

INSERT M.A. IND STEP ACCORDING TO INSTRUCTIONS
INCLUDED WITH THE MANHOLE STEP



M . A . I N D U S T R I E S , I N C .